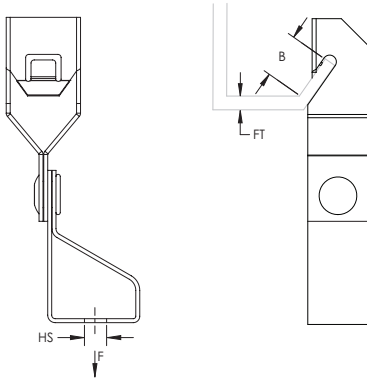


# 122-Ti/T Rod to Z Purlin Clip – 122M8TI (174980)



- Hammer-on clip compensates for angle of purlin
- Provides method for attaching rod to purlin



Part Number	122M8TI
Article Number	174980
Material	Spring Steel
Finish	nVent CADDY Armour
Hole Size (HS)	M8
Hole Type	Threaded
Flange Thickness (FT)	2.8 mm Max
B	15 mm Min
Static Load (F)	450 N
Standard Packaging Quantity	100 pc
UPC	78285652869
EAN-13	8711893749847

## WARNING

nVent products shall be installed and used only as indicated in nVent's product instruction sheets and training materials. Instruction sheets are available at [www.erico.com](http://www.erico.com) and from your nVent customer service representative. Improper installation, misuse, misapplication or other failure to completely follow nVent's instructions and warnings may cause product malfunction, property damage, serious bodily injury and death and/or void your warranty.

© 2019 nVent All rights reserved

nVent, nVent CADDY, nVent ERICO, nVent ERIFLEX and nVent LENTON are owned by nVent or its global affiliates.

All other trademarks are the property of their respective owners. nVent reserves the right to change specifications without prior notice.

