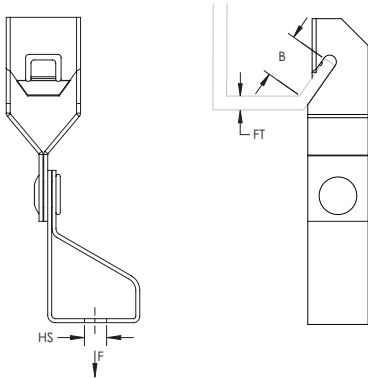


122-Ti/T Rod to Z Purlin Clip



- Hammer-on clip compensates for angle of purlin
- Provides method for attaching rod to purlin



Material: Spring Steel
 Finish: nVent CADDY Armour

Part Number	Article Number	Hole Size HS	Hole Type	Flange Thickness FT	B	Static Load F
122M6TI	174890	M6	Threaded	2.8 mm Max	15 mm Min	450 N
122M8TI	174980	M8	Threaded	2.8 mm Max	15 mm Min	450 N
122M10TI	175070	M10	Threaded	2.8 mm Max	15 mm Min	450 N

WARNING

nVent products shall be installed and used only as indicated in nVent's product instruction sheets and training materials. Instruction sheets are available at www.erico.com and from your nVent customer service representative. Improper installation, misuse, misapplication or other failure to completely follow nVent's instructions and warnings may cause product malfunction, property damage, serious bodily injury and death and/or void your warranty.

© 2019 nVent All rights reserved

nVent, nVent CADDY, nVent ERICO, nVent ERIFLEX and nVent LENTON are owned by nVent or its global affiliates.

All other trademarks are the property of their respective owners. nVent reserves the right to change specifications without prior notice.

